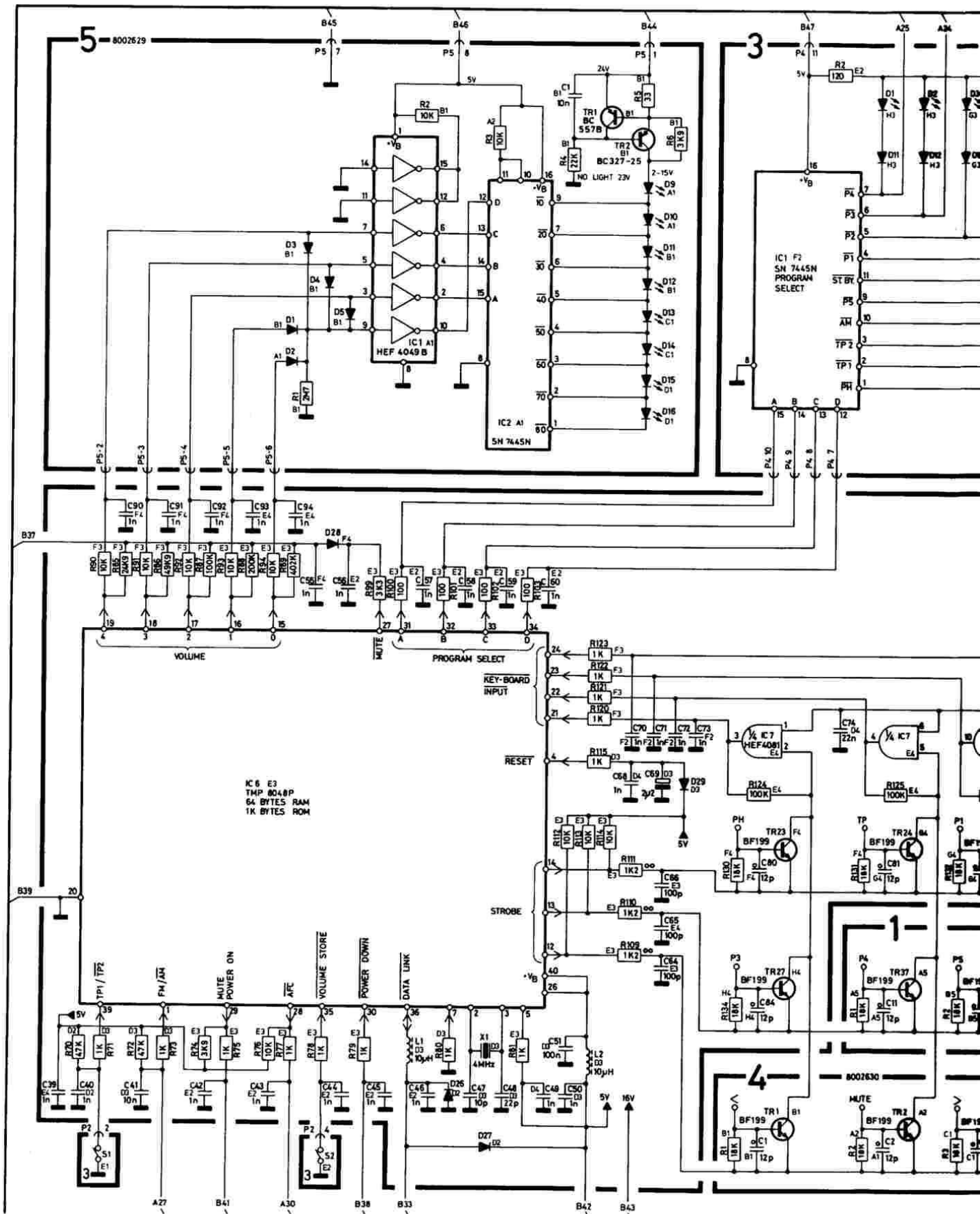
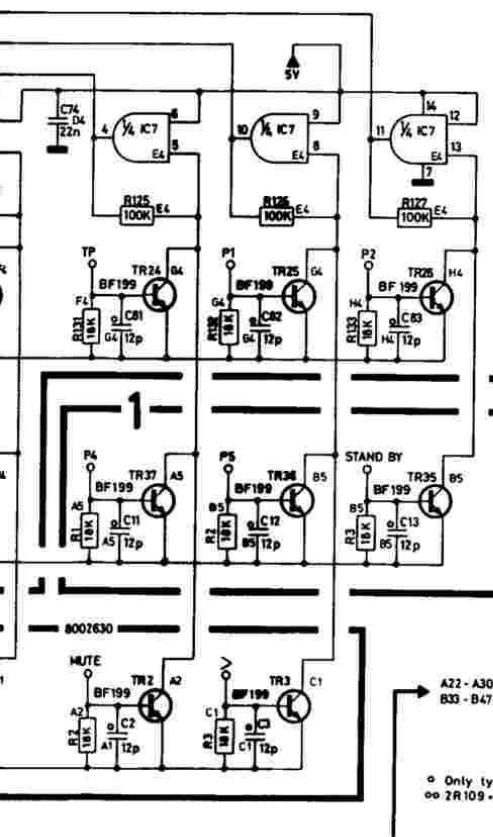
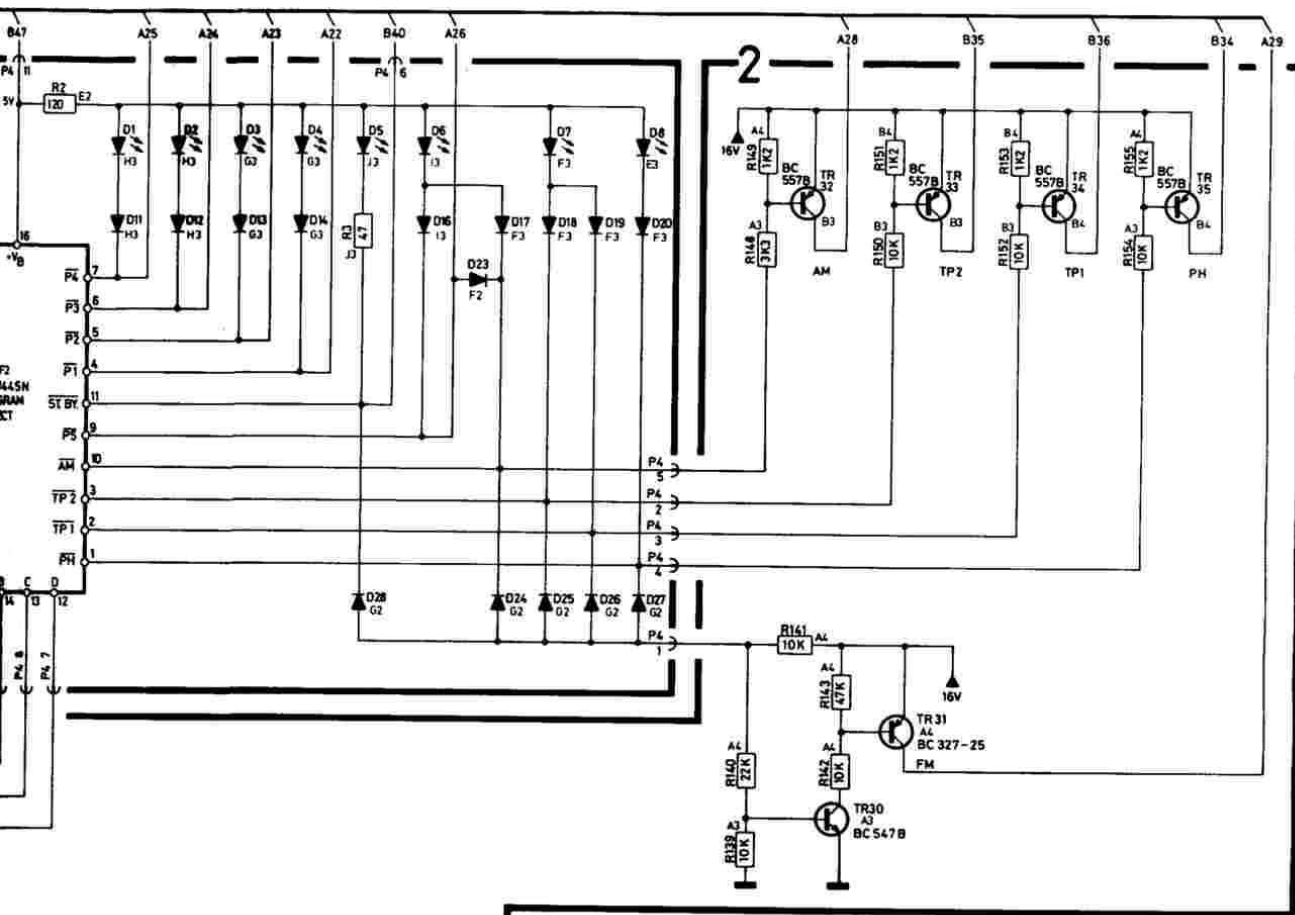


# 1-10

DIAGRAM C, all types





**VOLUME CONTROL**

VOLUME STEP	21C6 (8048)				51C2 (7445)					
	4	3	2	1	0	D	C	B	A	OUTPUT
0	0	0	0	0	0	1	1	1	1	×
1	0	0	0	0	1	0	1	1	1	9
2	0	0	0	1	0	0	0	1	0	
3	0	0	0	1	1	0	0	0	0	
4	0	0	1	0	0	0	1	1	0	7
5	0	0	1	0	1	0	0	0	1	
6	0	0	1	1	0	0	0	0	0	
7	0	0	1	1	1	0	0	0	0	
8	0	1	0	0	0	0	1	0	1	6
9	0	1	0	0	1	0	0	0	0	
10	0	1	0	1	0	0	0	0	0	
11	0	1	0	1	1	0	0	0	0	
12	0	1	1	0	0	0	1	0	0	5
13	0	1	1	0	1	0	0	0	0	
14	0	1	1	1	0	0	0	0	0	
15	0	1	1	1	1	0	0	0	0	
16	1	0	0	0	0	0	0	1	1	4
17	1	0	0	0	1	0	0	0	0	
18	1	0	0	1	0	0	0	0	0	
19	1	0	0	1	1	0	0	0	0	
20	1	0	1	0	0	0	0	1	0	3
21	1	0	1	0	1	0	0	0	0	
22	1	0	1	1	0	0	0	0	0	
23	1	0	1	1	1	0	0	0	0	
24	1	1	0	0	0	0	0	0	1	2
25	1	1	0	0	1	0	0	0	0	
26	1	1	0	1	0	0	0	0	0	
27	1	1	0	1	1	0	0	0	0	
28	1	1	1	0	0	0	0	0	0	1
29	1	1	1	0	1	0	0	0	0	
30	1	1	1	1	0	0	0	0	0	

TO	1	40	V <sub>cc</sub>
XTAL 1	2	39	T1
XTAL 2	3	38	P27
RESET	4	37	P26
SS	5	36	P25
INT	6	35	P24
EA	7	34	P17
RD	8	33	P16
PSEN	9	32	P15
WR	10	31	P14
ALE	11	30	P13
DB <sub>0</sub>	12	29	P12
DB <sub>1</sub>	13	28	P11
DB <sub>2</sub>	14	27	P10
DB <sub>3</sub>	15	26	V <sub>DD</sub>
DB <sub>4</sub>	16	25	PROG
DB <sub>5</sub>	17	24	P23
DB <sub>6</sub>	18	23	P22
DB <sub>7</sub>	19	22	P21
V <sub>ss</sub>	20	21	P20

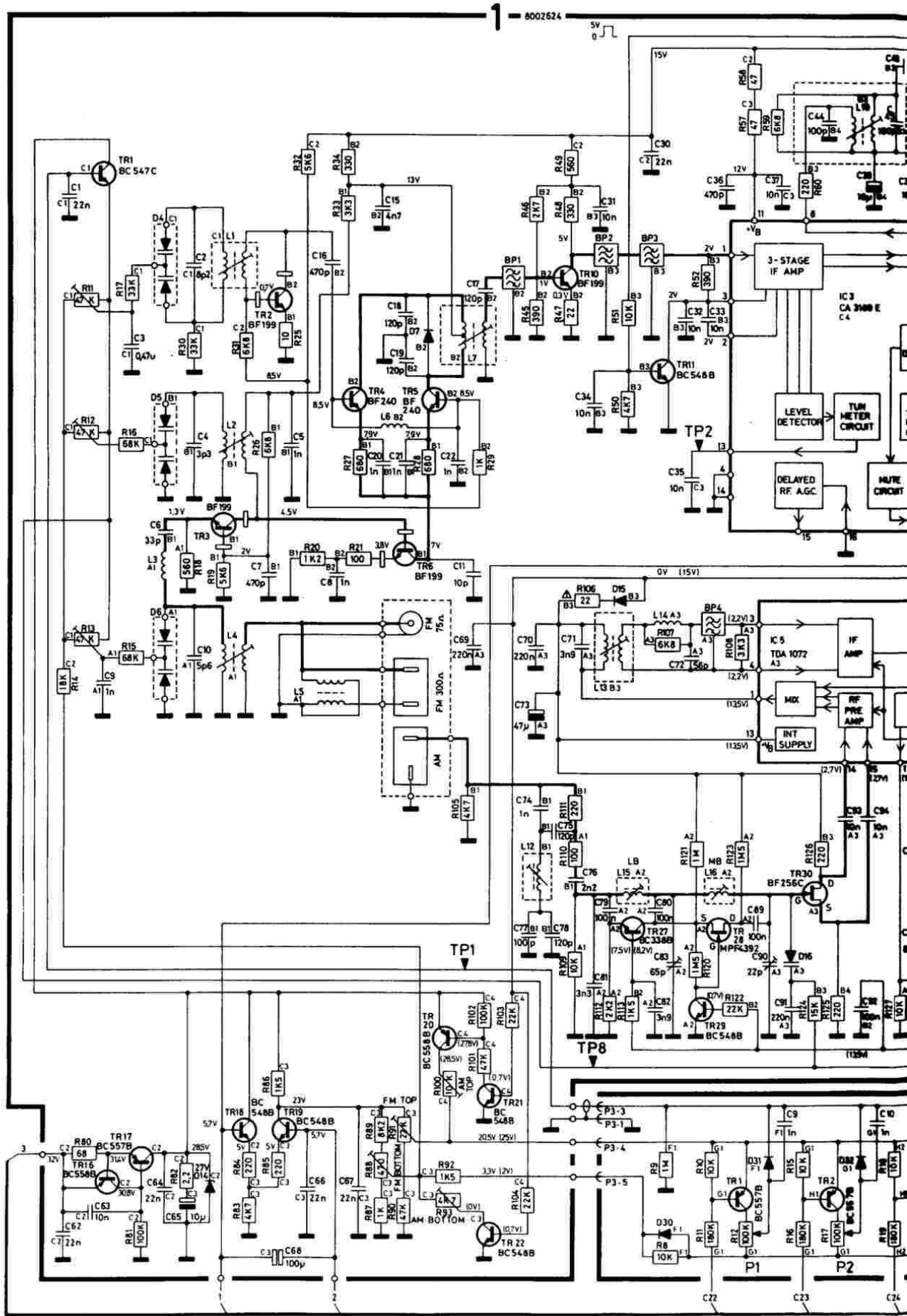
**FUNCTION TABLE 31C1 (74451)**

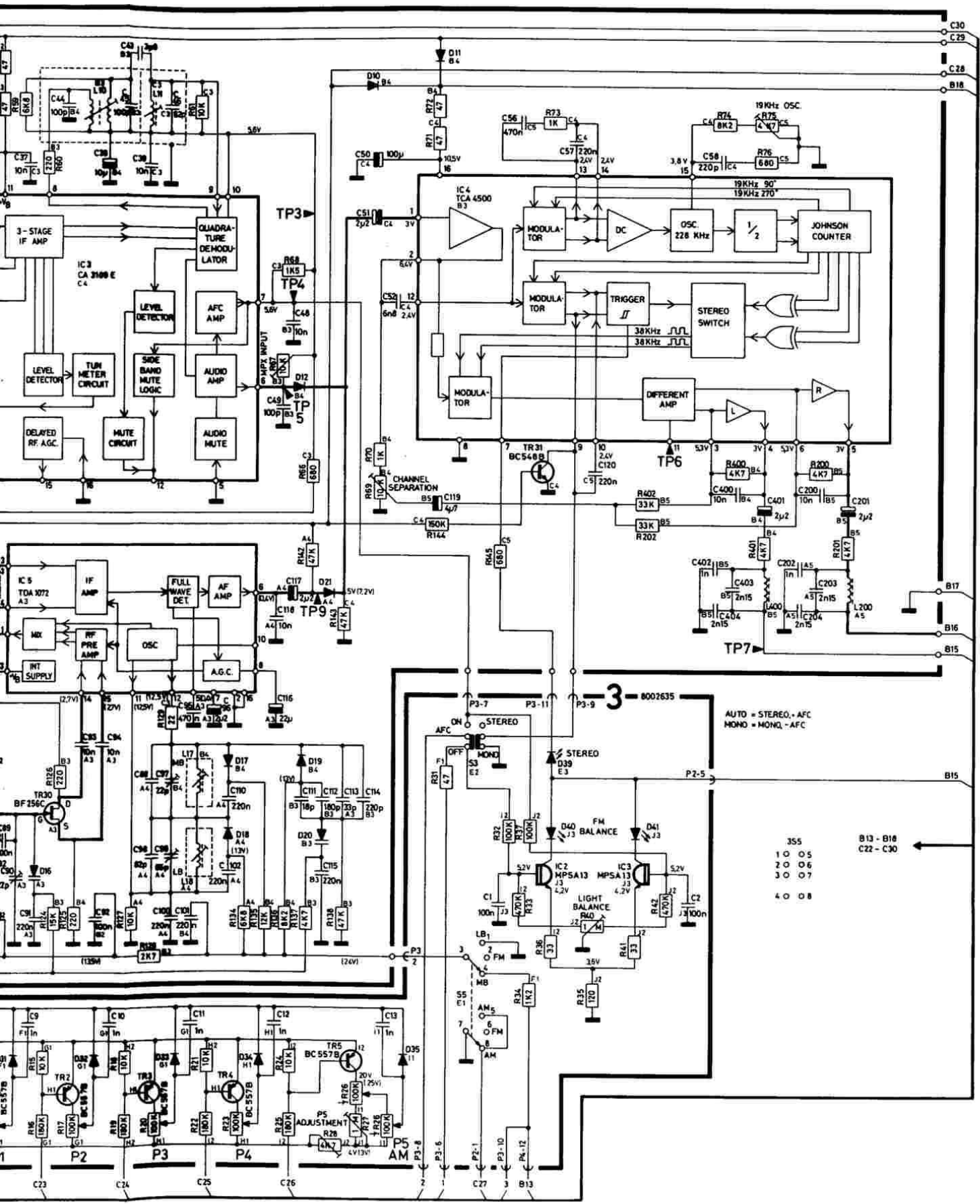
INPUTS				FUNCTION	8
D	C	B	A		E
0	0	0	0	PHONO	1
0	0	0	1	TAPE 1	2
0	0	1	0	TAPE 2	3
0	0	1	1	AM	4
0	1	0	0	P5	5
0	1	0	1	ST BY	6
0	1	1	0	P1	7
0	1	1	1	P2	9
1	0	0	0	P3	10

○ Only type 2919  
∞ 2R109-2R110-2R111-1K

# Bang & Olufsen 1-5

DIAGRAM A, type 2912/17 Before serial no. 2930001

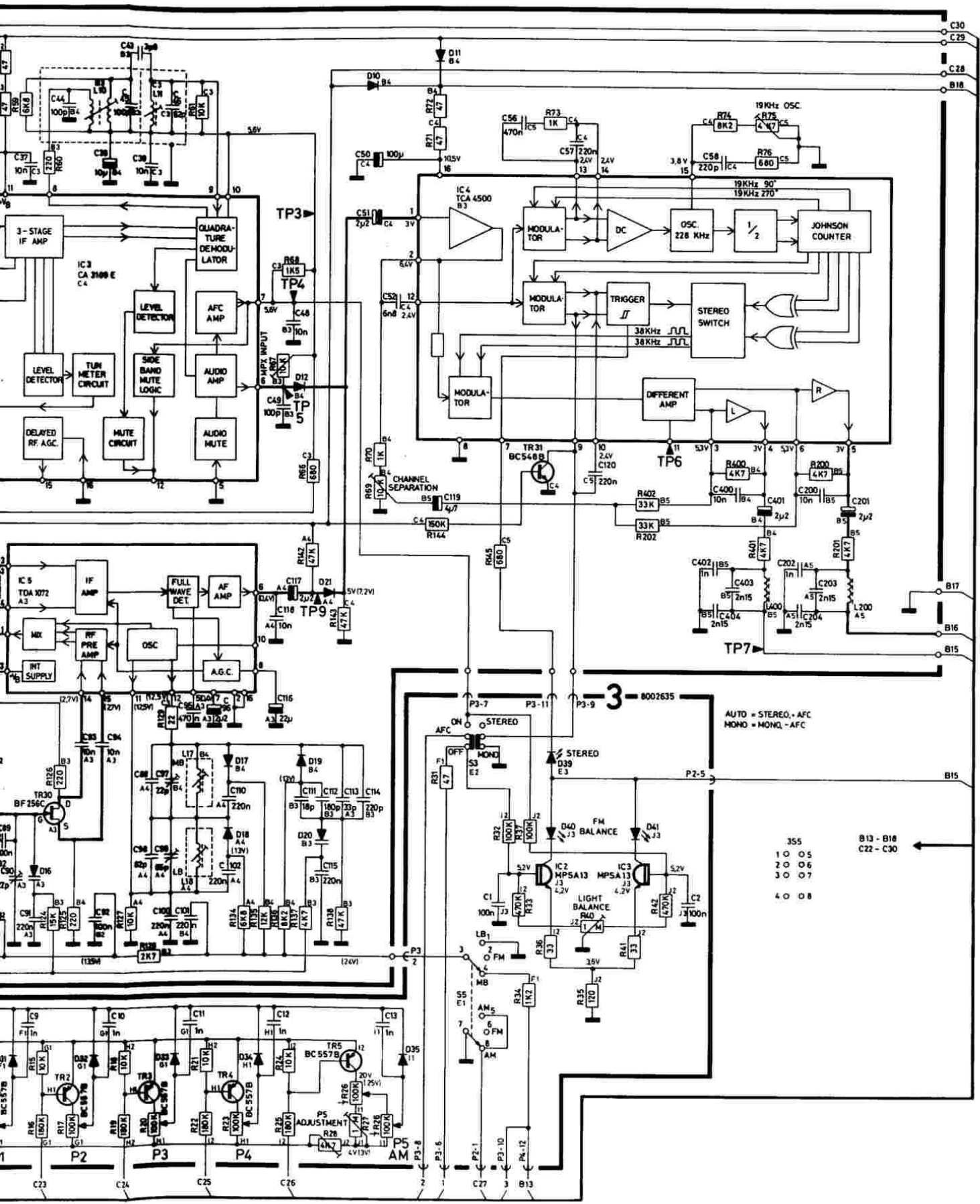




AUTO = STEREO - AFC  
MONO = MONO - AFC

- 355
- 1 0 0 5
- 2 0 0 6
- 3 0 0 7
- 4 0 0 8

B13 - B18  
C22 - C30

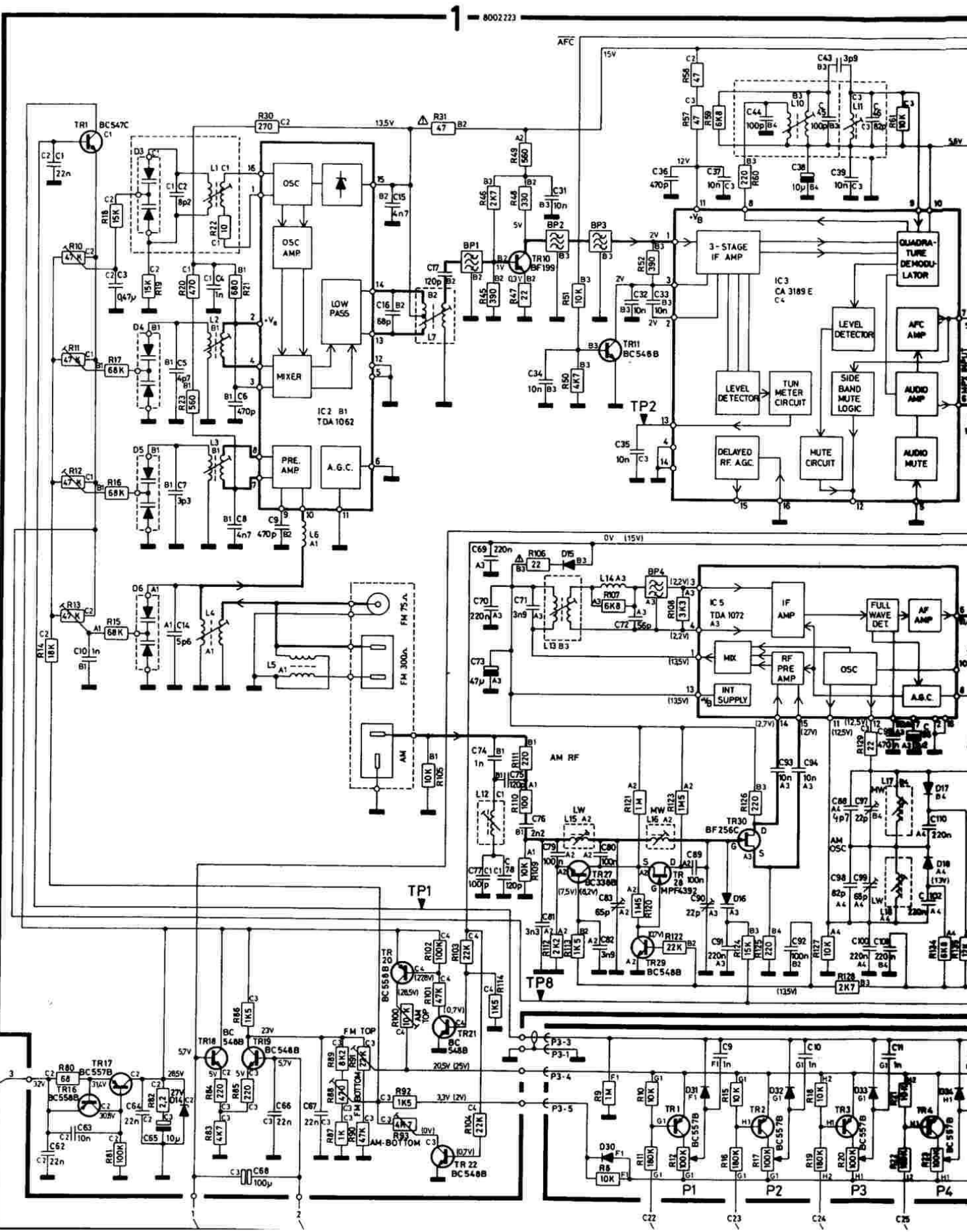


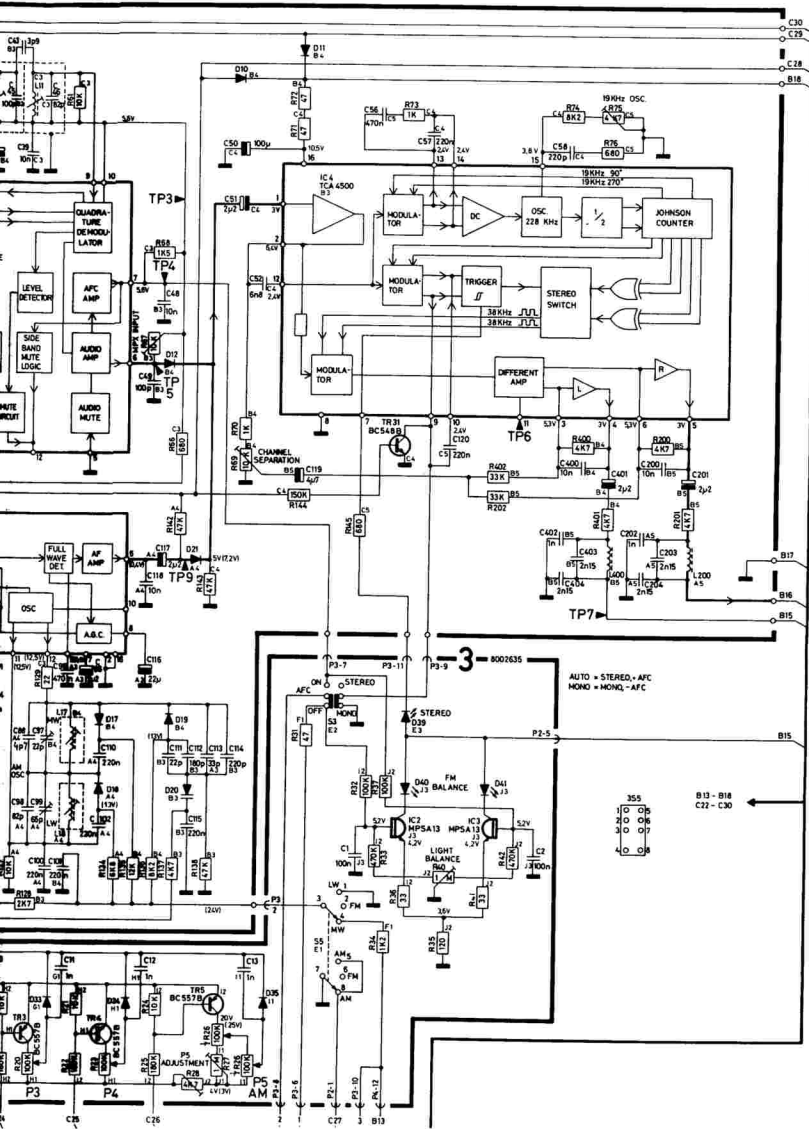
AUTO = STEREO - AFC  
MONO = MONO - AFC

- 355
- 1 0 0 5
- 2 0 0 6
- 3 0 0 7
- 4 0 0 8

B13 - B18  
C22 - C30

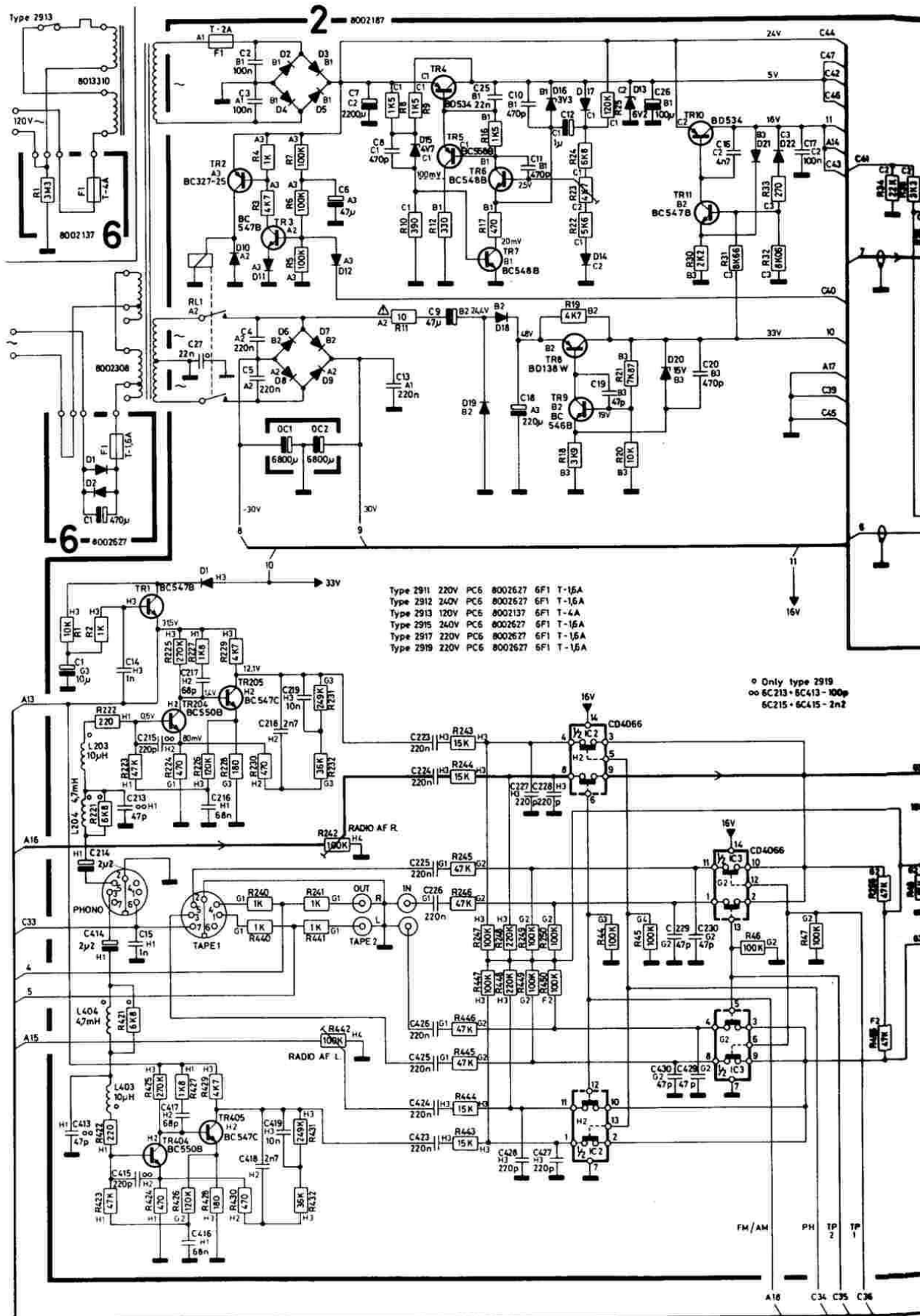
DIAGRAM A, type 2912/15/17 From serial no. 2930001



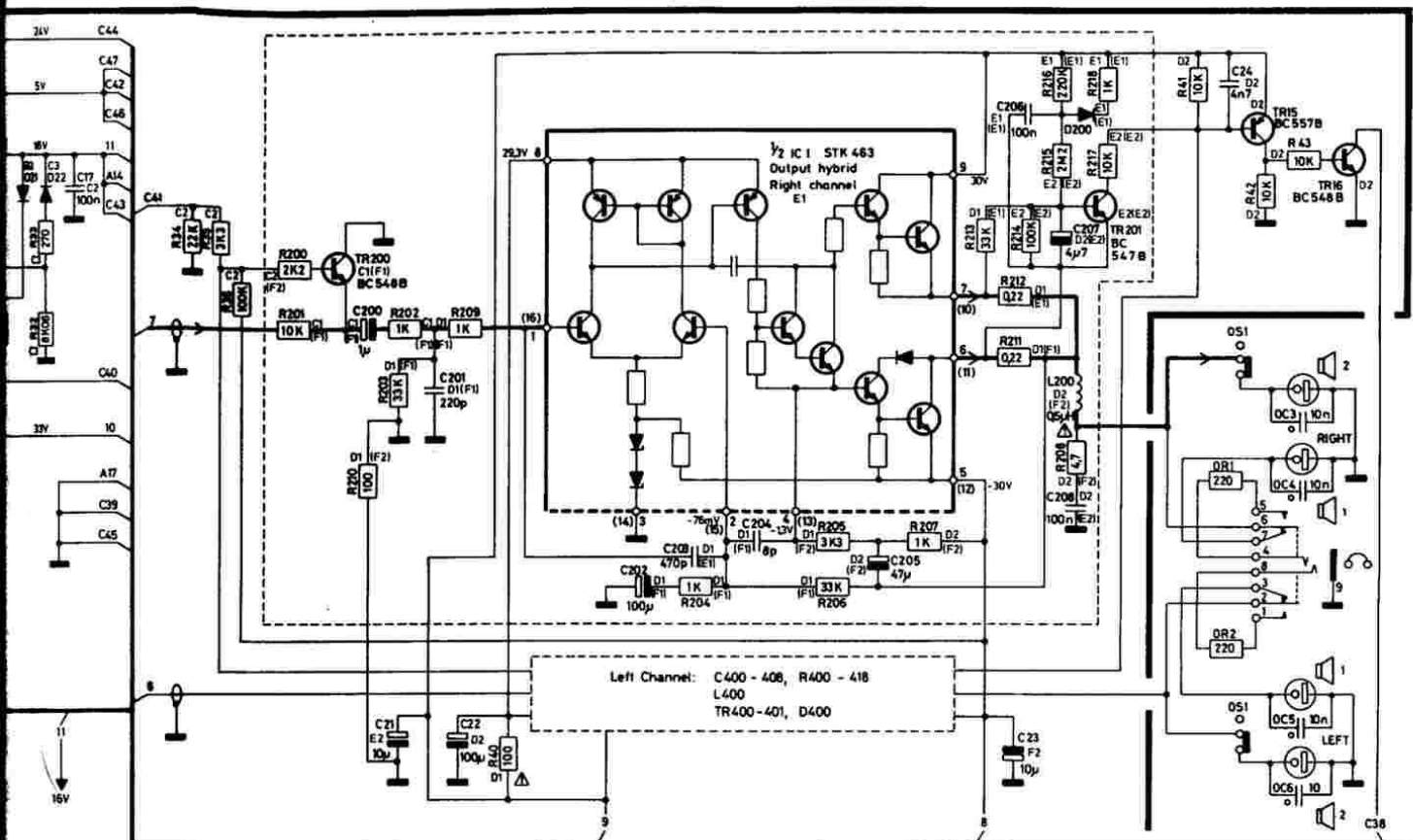


# Bang & Olufsen

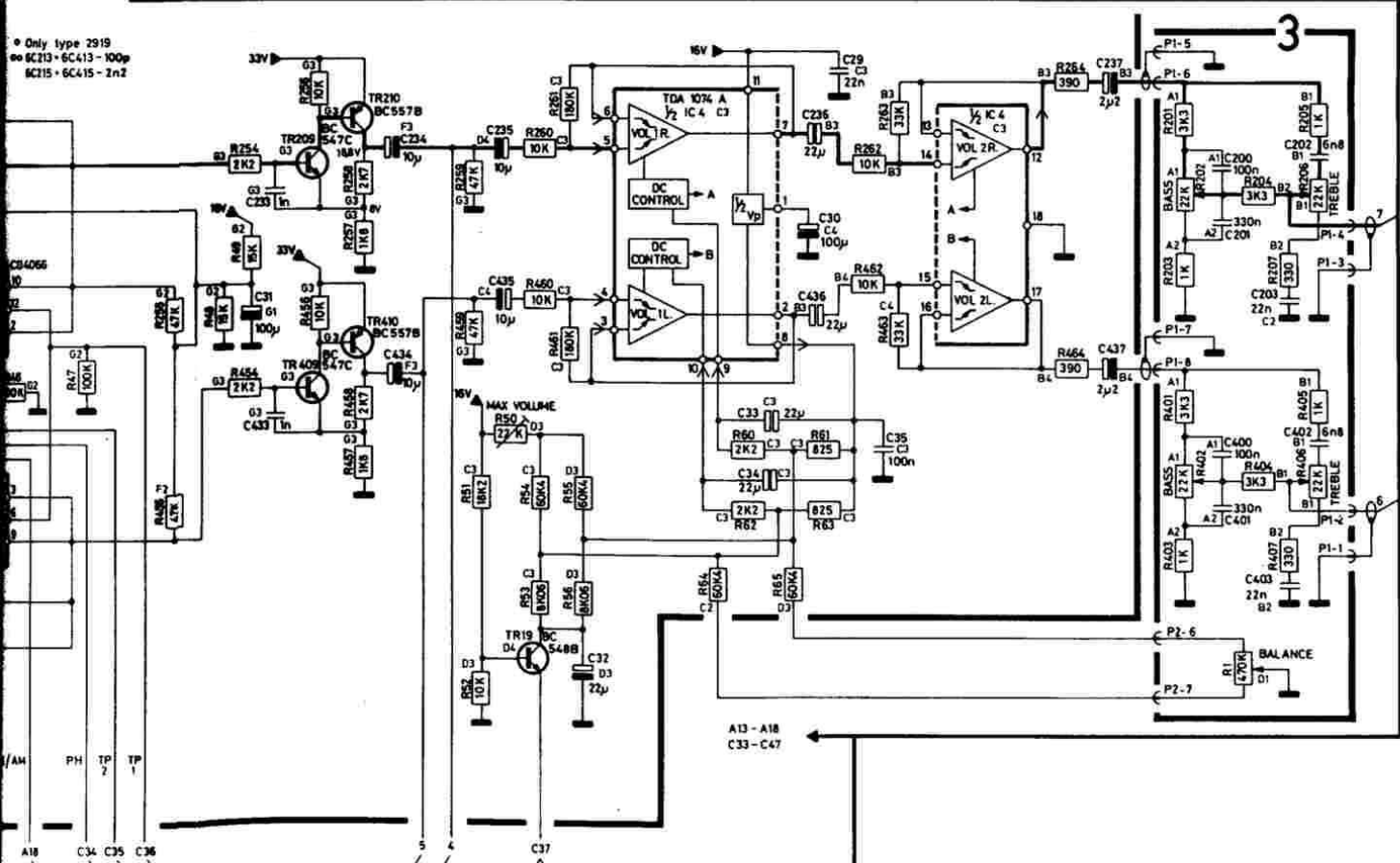
DIAGRAM B, all types







• Only type 2919  
 • BC213 - 6C413 - 100p  
 • BC215 - 6C415 - 2n2



A13 - A18  
 C33 - C47